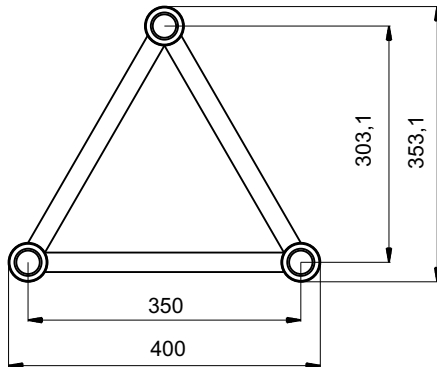
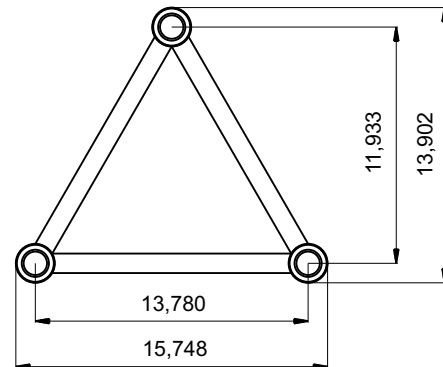


SIZE IN MILLIMETERS



SIZE IN INCHES



SPECIFICATIONS FT43

TUBES	50x2mm (2 x 0.08inch)
BRACES	25x3mm (1 x 0.12inch)
ALLOY	EN-AW 6082 T6



STRAIGHT SEGMENT LENGTHS FT43

CODE	LENGTH		WEIGHT	
FT43-50	0.5m	1.64ft	3.8kg	8.29lbs
FT43-75	0.75m	2.46ft	5.0kg	11.08lbs
FT43-87.5	0.875m	2.87ft	5.5kg	12.12lbs
FT43-100	1m	3.28ft	6.3kg	13.87lbs
FT43-125	1.25m	4.10ft	7.0kg	15.46lbs
FT43-150	1.5m	4.92ft	8.5kg	18.72lbs
FT43-200	2m	6.56ft	10.6kg	23.33lbs
FT43-250	2.5m	8.20ft	12.8kg	28.11lbs
FT43-300	3m	9.84ft	15.2kg	33.49lbs
FT43-350	3.5m	11.48ft	17.3kg	38.15lbs
FT43-400	4m	13.12ft	19.6kg	43.17lbs
FT43-450	4.5m	14.76ft	21.6kg	47.63lbs
FT43-500	5m	16.40ft	24.0kg	52.94lbs

LOADING TABLES FT43

	2m	4m	6m	8m	10m	12m	14m	16m
Distrib. Load [kg/m]	779	272	124	70	45	31	21	15
Deflection [mm]	1.3	7.2	16.9	31.3	50.9	75.6	100.8	133.3
Point load [kg]	779	544	371	282	225	184	144	121
Deflection [mm]	1	5.8	13.6	25.5	41.8	62.8	84.9	116.1
	6.56ft	13.12ft	19.68ft	26.24ft	32.81ft	37.37ft	45.93ft	52.49ft
Distrib. Load [lb/ft]	523.5	182.8	83.3	47	30.2	20.8	14.1	10.1
Deflection [inch]	0.1	0.3	0.7	1.2	2	3	4	5.2
Point load [lb]	1717.7	1199.5	818.1	621.8	496.1	405.7	317.5	266.8
Deflection [inch]	0.04	0.2	0.5	1	1.6	2.5	3.3	4.6